

INDUSTRIAL OIL FILTERS (SPIN-ON)



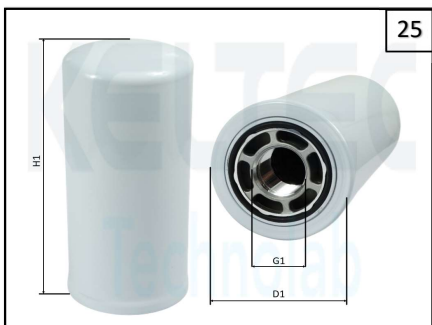
KELTEC	FIGURA	MIDIA	D1	G1	H1	VALVULA BY PASS	VALVULA ANTIDRENO	EFICIÊNCIA
KL1000-014S	1	FIBERGLASS	120	1,1/4"11BSP	287	NO	NO	$\beta 1000 = 14\mu$
KL1000-064S	2	FIBERGLASS	139	M39X1,5	309	0,25MPA	NO	-
KL1000-069S	3	FIBERGLASS	139	M39X1,75	309	0,25MPA	NO	$\beta 500 = 15\mu$
KL1000-077S	4	FIBERGLASS	139	M41X1,5	306	-	-	-
KL105-021S	5	PAPER	97	3/4"16UNF2B	95	0,25MPA	NO	$\beta 100 = 40\mu$
KL135-035S	6	PAPER	97	1"12	178	0,25MPA	YES	$\beta 100 = 40\mu$
KL200-029S	7	PAPER	139	1,1-2"16UN2B	309	0,25MPA	NO	$\beta 100 = 25\mu$
KL200-098S	8	PAPER	135	M41X1,5	306	-	-	-
KL235-006S	9	PAPER	84	3/4"16UN	119	0,25MPA	NO	-
KL235-018S	10	FIBERGLASS	79	M23X1LH	123,7	0,25MPA	NO	-
KL265-032S	11	FIBERGLASS	97	M23X1,5LH	121	0,25MPA	NO	-
KL295-014S	12	PAPER	97	M22X1,5	137	0,25MPA	NO	$\beta 100 = 45\mu$
KL295-099S	13	FIBERGLASS	97	M24X1,75	147	0,25MPA	NO	-
KL310-017S	14	PAPER	78	3/4"16UNF2B	94	0,25MPA	NO	-
KL320-014S	15	PAPER	97	3/4"16UNF2B	137	0,25MPA	YES	$\beta 100 = 40\mu$
KL335-015S	16	PAPER	97	M22X1,5-6HINT	94	0,30MPA	YES	-
KL450-038S	17	PAPER	97	1"12UNF2B	212	0,25MPA	NO	$\beta 2 = 27\mu$
KL450-099S	18	FIBERGLASS	97	M23X1,5	214	0,25MPA	NO	-
KL460-027S	19	PAPER	120	1,5/8x12	260	0,25MPA	NO	-
KL475-008D	20	PAPER	130	1,1/2"16UNF	179	NO	NO	$\beta 2 = 7\mu / \beta 1000 = 23\mu$
KL490-003S	21	PAPER	130	1,1/2"16UNF	232	NO	NO	$\beta 1000 = 50\mu$
KL530-013S	22	FIBERGLASS	97	M20X1,5-6HINT	212	0,25MPA	NO	-
KL535-011S	23	FIBERGLASS	97	M23X1,5LH	212	0,25MPA	NO	$\beta 1000 = 10\mu$
KL535-012S	24	PAPER	97	M23X1,5LH	212	0,25MPA	NO	-
KL585-009SH	25	FIBERGLASS	97	1,3/8"12UNF2B	225,7	NO	NO	$\beta 2 = 4\mu / \beta 1000 = 11\mu$
KL590-007S	26	PAPER	110	1"12UNF2B	230	0,14MPA	YES	$\beta 2 = 14\mu$
KL600-026S	27	PAPER	97	1"12UNF2B	137	0,25MPA	YES	-
KL660-009S	28	FIBERGLASS	97	1"12UNF2B	212	0,25MPA	NO	$\beta 1000 = 26\mu$
KL670-011S	29	PAPER	130	1 1/2"16UNF	177	NO	NO	$\beta 1000 = 6\mu$
KL685-007S	30	PAPER	97	3/4"14BSP	142	0,25MPA	NO	$\beta 2 = 7\mu / \beta 1000 = 23\mu$
KL750-039S	31	PAPER	120	1,1/4"11BSP	155,5	0,25MPA	NO	$\beta 200 = 10\mu$
KL790-010S	32	PAPER	139	1,1/2"16UN2B	183	0,25MPA	NO	$\beta 2 = 9\mu$
KL790-099S	33	FIBERGLASS	139	1,1/2"16UN2B	183	0,25MPA	NO	-
KL800-019S	34	PAPER	110	1,1/8"16UN2B	262,5	0,25MPA	YES	$\beta 2 = 20\mu$
KL800-052S	35	PAPER	110	1,1/8"16UN2B	270	0,25MPA	YES	$\beta 100 = 20\mu$
KL850-009S	36	FIBERGLASS	97	31/32"20UNEF2B	137	0,25MPA	NO	$\beta 1000 = 14\mu$
KL950-009S	37	FIBERGLASS	115	1,1/4"11BSP	160/177	NO	NO	$\beta 1000 = 14\mu$
KL980-011S	38	FIBERGLASS	94	M24X1,5	210	0,25MPA	NO	-
KL980-015S	39	FIBERGLASS	94	m26x1,5	212	0,25MPA	NO	-
KL990-007S	40	FIBERGLASS	115	1,3/4"12un2B	296,7	NO	NO	$\beta 1000 = 11\mu$



INDUSTRIAL OIL FILTERS (SPIN-ON)



INDUSTRIAL OIL FILTERS (SPIN-ON)



INDUSTRIAL OIL FILTERS (SPIN-ON)

